



# BT8390-VESA400MAP

SYSTEM X™

## UNIVERSAL POP-OUT INTERFACE ARMS WITH MICRO-ADJUSTMENT

### INSTALLATION GUIDE & PARTS LIST

This Pack Contains 1 Pair of Interface Arms

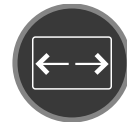
PLEASE KEEP THIS FOR FUTURE REFERENCE



#### FEATURES

- Universal pop-out interface arms designed for screens up to 50kg (110lbs)
- Suitable for screens with VESA® and Non-VESA fixings up to 400mm (vertical dimension)
- Designed to be mounted onto a BT8390 rail
- Suitable for landscape or portrait mounting (minimum screen size is 39" when used in landscape orientation)
- Tool-less micro-adjustments for seamless alignment of the display
- Height adjustment +/- 20mm
- Depth adjustment +/- 10mm
- Lateral screen adjustment, position arms anywhere along the length of the rail
- Push to open / push to close system provides quick and easy service access
- Safety screws help prevent unauthorised removal of screens
- Includes an optional pop-out prevention mechanism
- Simple hook-on installation with all mounting hardware included

Designed to be used in conjunction with B-Tech's System X range



#### CONTENTS

Installation Safety Notes.....	2
Parts List.....	4
Installation Instructions.....	5
Product Dimensions.....	15
B-Tech Contact Details.....	16

#### INSTALLATION TOOLS REQUIRED

Crosshead screwdriver



6mm Hex Key  
(Optional)



**B-TECH AV MOUNTS**

[www.btechavmounts.com](http://www.btechavmounts.com)

# INSTALLATION SAFETY INSTRUCTIONS



**CAUTION:** This mount is intended for use only with the maximum weights indicated. Use with flat screens heavier than the maximum indicated may result in instability causing possible injury.

Do not attempt to install this product until all instructions and warnings have been read and properly understood. Please keep these instructions for future reference.

Please check carefully to make sure there are no missing or defective parts - defective parts must never be used. B-Tech International Design & Manufacturing Ltd., its distributors and dealers are not liable or responsible for damage or injury caused by improper installation, improper use or failure to observe these safety instructions. In such cases, all guarantees will expire.

## **General**

B-Tech International Design & Manufacturing Ltd. recommends that a professional AV installer or other suitably qualified person install this product. Great care must always be taken during installation as most AV equipment is of a fragile nature, possibly heavy and easily damaged if dropped.

If you do not fully understand the instructions or are not sure how to install this product safely, then please consult a professional for advice and/or to install this product for you. Failure to mount this product correctly may cause serious injury or death both during installation and at any time thereafter.

Do not mount any AV equipment that exceeds the specific weight limit of the product you are installing.

This weight limit will be clearly stated on each product and its packaging and will vary from product to product.

## **Product location**

Please pay careful attention to where this product is located. Check load capacity of wall prior to installation as some walls are not suitable for installation. Designed for indoor use, this mount is suitable for public or home installation. If located in a public or frequently populated area ensure that the product is out of the immediate reach of people. If any AV equipment is to be suspended over the likely path or location of people then great care should be taken to secure all parts of the installation from falling. If you install this product on drywall it must be securely fixed to a wooden stud, concrete block or other permanent structure behind the drywall board. Installing on drywall boards alone will not support the weight of most AV equipment.

When drilling holes in walls it is essential to avoid contact with electrical cables and water or gas pipes contained within. Use of a good quality live wire detector and hidden object locator is therefore recommended. Only drill into structures when you are sure it is safe to do so.

## **Fixing hardware**

It is highly recommended that all wall fixing screws be used where supplied and that the purpose of all other fixing hardware is fully understood. In some cases more AV equipment fixing hardware will be supplied to accommodate different models of equipment and set up configurations.

The installer must be satisfied that any supplied fixing hardware is suitable for each specific installation. If any fixing screws or included hardware are deemed not sufficient for a safe installation then please consult a professional or your local hardware store.

## **Hazard limitation**

When routing cables take advantage of any built in cable management features that the product might provide and ensure that all cables are tidy and secure. Check to see that any moving aspect of the product can do so unhindered by any cabling.

Some products have moving parts and the potential to cause injury through the crushing or trapping of fingers or other body parts.

Particular attention to the nature of moving parts is required especially when assembling installing and adjusting during set up.

Immediately after installations double-check that the work done is safe and secure. Double-check all necessary fixings are present and are of ample tightness.

It is recommended that periodic inspections of the product and its fixing points are made as frequently as possible to ensure that safety is maintained. If in doubt consult a professional AV installer or other suitably qualified person.

CS

Společnost B-Tech International Design And Manufacturing Ltd. doporučuje provést instalaci tohoto produktu instalátora AV či jinak způsobilé osoby. Společnost B-Tech International Design And Manufacturing Ltd, její distributoři a prodejci nenesou prostřednictvím odborného odpov ědnost za škody nebo zranění způsobená nevhodnou instalací. Tento výrobek je nutno umístit do vhodné konstrukce a používat jen po uvedené maximální výšce.

DE

B-Tech International Design And Manufacturing Ltd. empfiehlt, dass dieses Produkt durch einen qualifizierten AV-Techniker oder eine andere Person mit geeigneter Qualifikation installiert wird. B-Tech International Design And Manufacturing Ltd, ihre Distributoren und Händler können nicht für durch fehlerhafte Montage verursachte Beschädigung oder Verletzung haftbar bzw. verantwortlich gemacht werden. Dieses Produkt muss auf einen geeigneten Untergrund montiert werden und darf nur bis zum angegebenen Höchstgewicht verwendet werden.

ES

B-Tech International Design And Manufacturing Ltd. recomienda que un instalador de audio y video profesional u otra persona debidamente cualificada instalen este producto. B-Tech International Design And Manufacturing Ltd, sus distribuidores y concesionarios no se hacen cargo ni se responsabilizan de ningún daño o lesión provocados por una instalación inapropiada. Este producto se debe montar en una estructura adecuada y se debe utilizar soportando solamente hasta el peso máximo indicado.

FR

B-Tech International Design And Manufacturing Ltd. recommande de confier l'installation de ce produit à un installateur AV professionnel ou à une autre personne dûment qualifiée. B-Tech International Design And Manufacturing Ltd, ses distributeurs et ses revendeurs ne sauraient être tenus responsables de tout dégât ou de toute blessure résultant d'une installation incorrecte. Ce produit doit être monté sur un support approprié et utilisé dans la limite du poids maximum indiqué.

IT

B-Tech International Design And Manufacturing Ltd. consiglia di affidare l'installazione di questo prodotto a un installatore specializzato o ad altra persona adeguatamente qualificata. B-Tech International Design And Manufacturing Ltd. i suoi distributori e rivenditori non accettano alcuna responsabilità nei riguardi di eventuali danni o infortuni causati da un'errata installazione. Questo prodotto deve essere fissato a una struttura idonea e utilizzato unicamente sino al peso massimo indicato.

NL

B-Tech International Design And Manufacturing Ltd. adviseert om dit product te laten installeren door een professionele AV-instalateur of andere hiervoor gekwalificeerde persoon. B-Tech International Design And Manufacturing Ltd, haar distributeurs en dealers zijn niet aansprakelijk of verantwoordelijk voor schade of letsel die is veroorzaakt door onoordeelkundige installatie. Dit product moet worden gemonteerd aan een geschikte constructie, waarbij het aangegeven maximum gewicht niet mag worden overschreden.

PL

Firma B-Tech International Design And Manufacturing Ltd. zaleca, aby ten produkt był instalowany przez profesjonalnych instalatorów AV lub inny odpowiednio przeszkolony personel. Firma B-Tech International Design And Manufacturing Ltd, jej dystrybutorzy i dealerzy nie ponoszą odpowiedzialności za uszkodzenia lub obrażenia ciała powstałe w wyniku nieprawidłowej instalacji. Niniejszy produkt musi być zamontowany na odpowiedniej powierzchni, a podczas u żytkowania nie wolno przekraczać podanego maksymalnego obciążenia.

PT

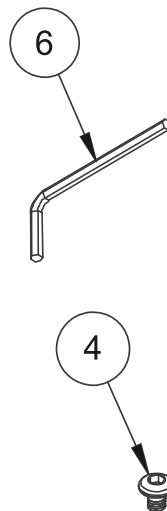
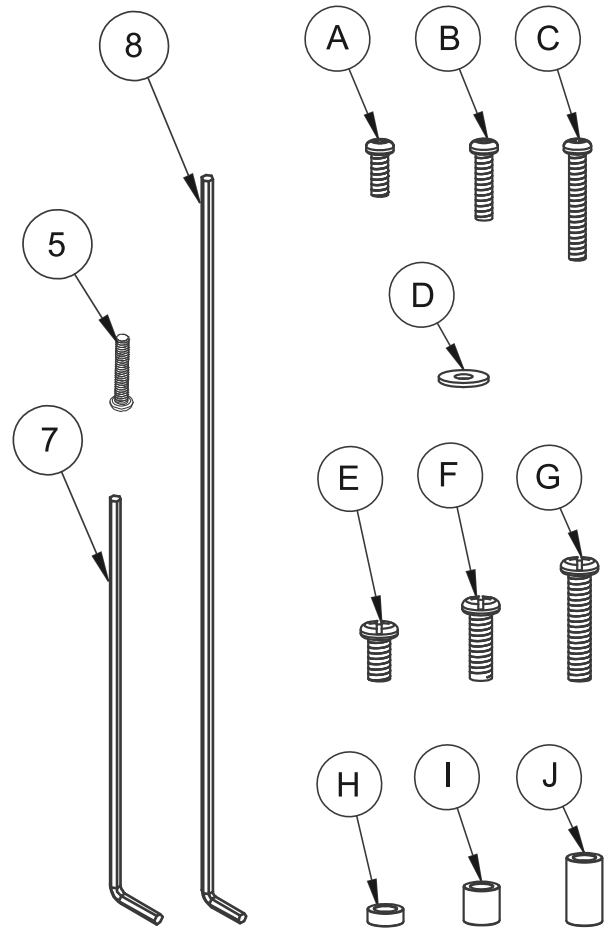
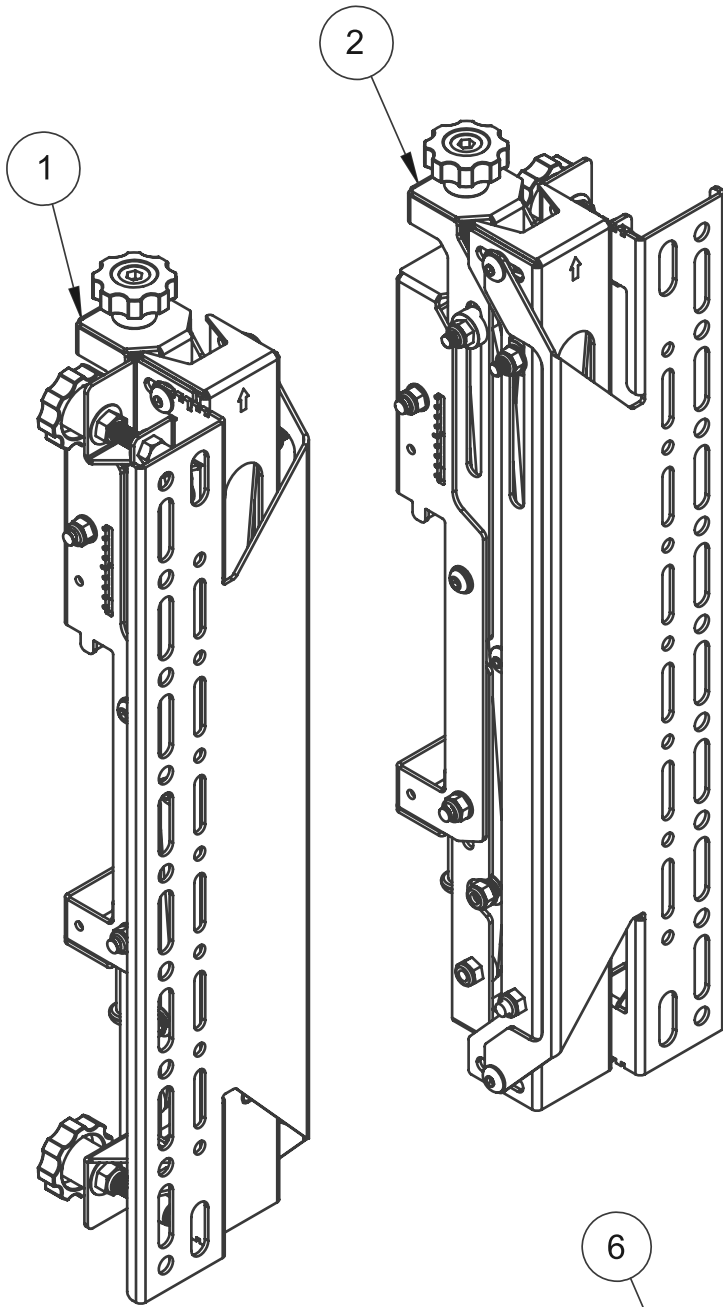
A B-Tech International Design And Manufacturing Ltd. recomenda que a instalação deste produto seja efectuada por um instalador de AV instalador de AV profissional ou outra pessoa devidamente habilitada. A B-Tech International Design And Manufacturing Ltd. e os seus distribuidores e concessionários não são responsáveis por danos ou lesões causados por uma instalação incorrecta. Este produto tem de ser montado numa estrutura adequada e utilizado somente até ao peso máximo indicado.

RU

Компания B-Tech International Design And Manufacturing Ltd. рекомендует, чтобы установка данного изделия производилась инженером по установке аудио-видеотехники или другим специалистом с соответствующей квалификацией. Компания B-Tech International Design And Manufacturing Ltd. ее дистрибьюторы и дилеры не несут ответственности за повреждения или травмы, полученные в результате неправильной установки. Данное изделие должно

توصي بي- تك للتجارة الدولية المحدودة بأن شخص محترف في تركيب ال AV او شخص مؤهل تأهيلا مناسباً لتركيب هذا المنتج بي- تك للتجارة الدولية، موزعيها والتجار ليست عرضة أو مسؤولة عن الأضرار أو الإصابات الناجمة عن تركيب غير سليم، والاستخدام غير السليم أو عدم مراعاة هذه التعليمات للسلامة. يجب أن يتم تركيب هذا المنتج في بنية مناسبة ويجب استخدامه فقط لدعم الحد الأقصى للوزن المشار إليه.

**BT8390-VESA400MAP**  
**PARTS LIST**



Suitable for loads  
up to 50kg

ITEM	PART NAME	QTY
1	LEFT INTERFACE ARM	1
2	RIGHT INTERFACE ARM	1
3	ADJUSTABLE BRACE	1
4	M5 x 6mm SCREW	2
5	M6 x 35mm SCREW	2
6	3AF HEX KEY	1
7	4AF HEX KEY	1
8	5AF HEX KEY	1
INTERFACE KIT		
A	M6 x 16mm SCREW	4
B	M6 x 25mm SCREW	4
C	M6 x 40mm SCREW	4
D	WASHER	4
E	M8 x 16mm SCREW	4
F	M8 x 25mm SCREW	4
G	M8 x 40mm SCREW	4
H	5mm SPACER	4
I	13mm SPACER	4
J	24mm SPACER	4

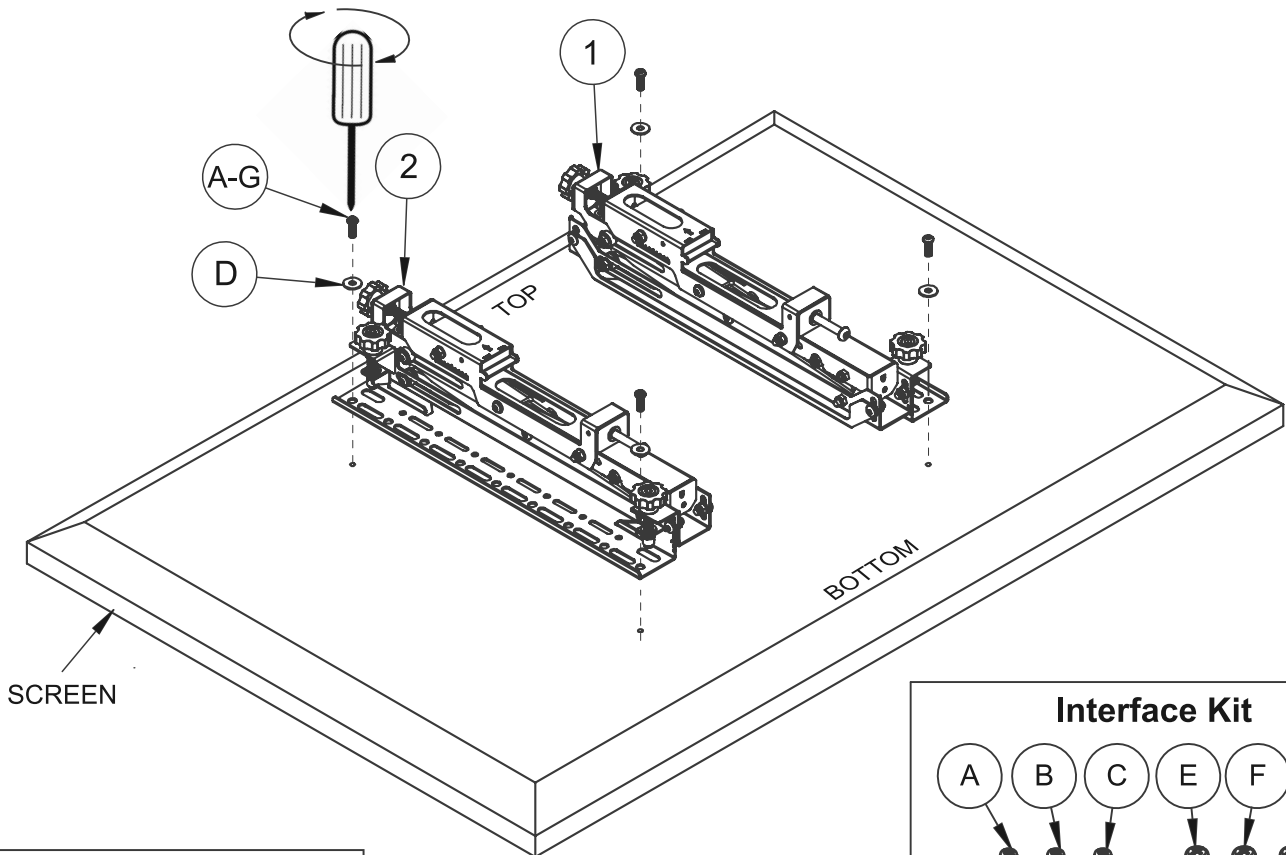
PLEASE KEEP THIS FOR FUTURE REFERENCE

# INSTALLATION INSTRUCTIONS

1

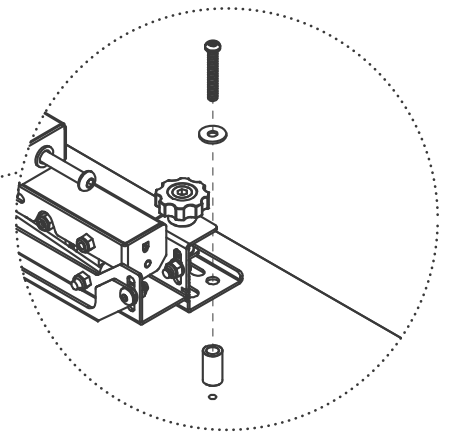
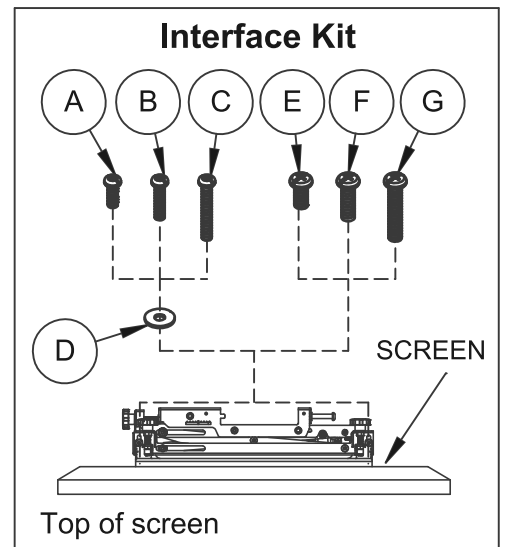
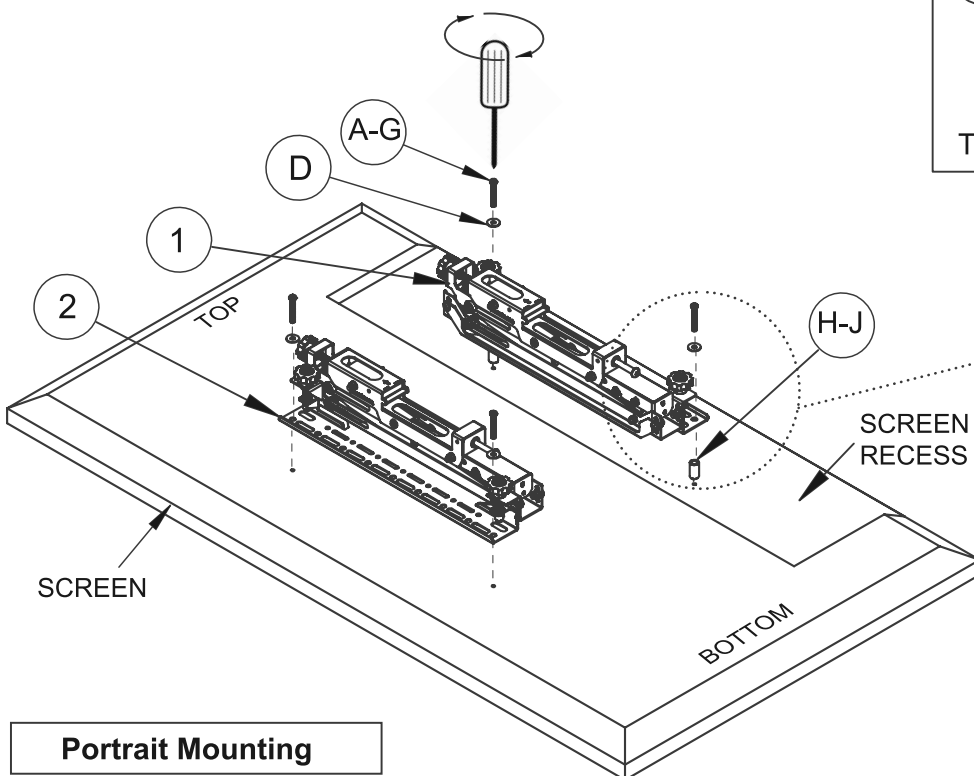
## Attach Interface Arms to Screen

Fix *items 1 & 2* to the back of the screen using *items A - G*. Ensure the arms are positioned the correct way round and the same holes are used on both arms.



### Landscape Mounting

Use spacers (*items H, I & J*) for screens with recessed fixings.



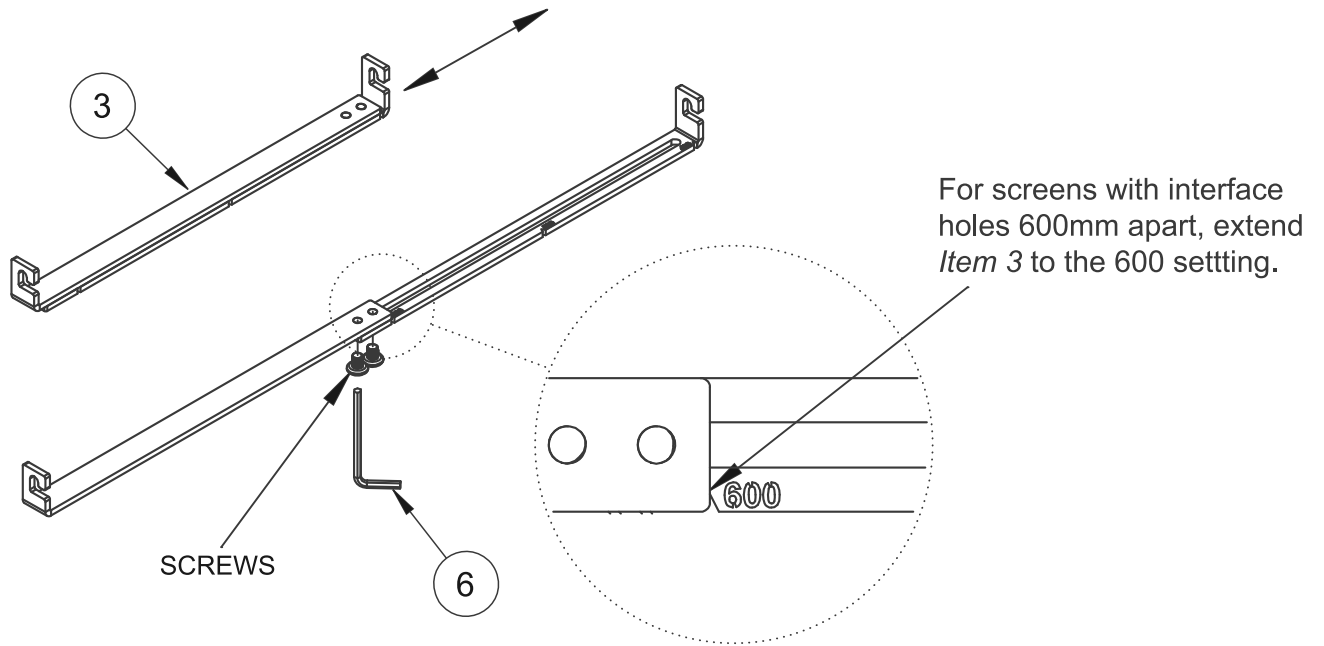
### Portrait Mounting

## 2

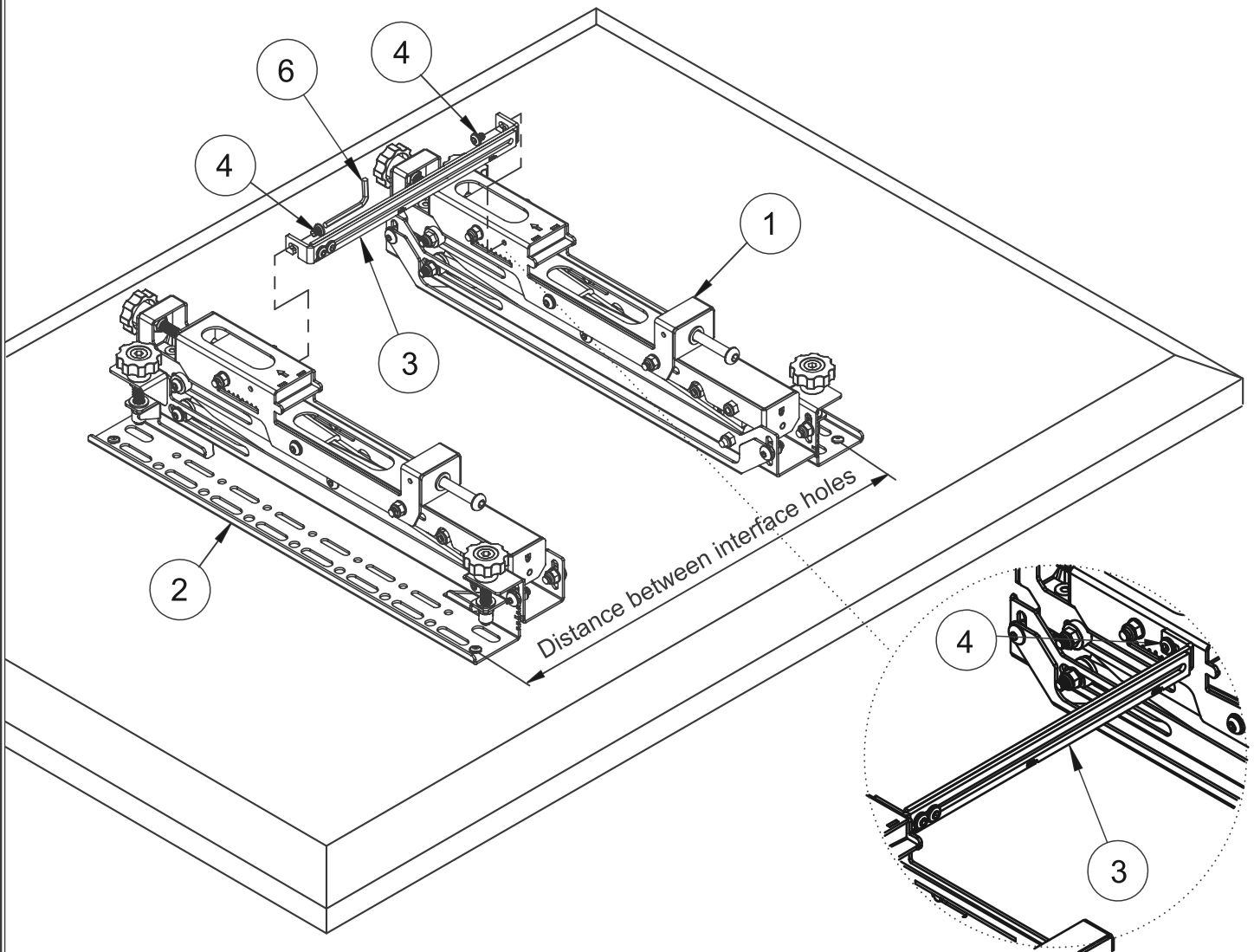
### Connect Interface Arms with the Adjustable Brace

**Note:** *Item 3* only to be used for horizontal VESA fixings from 400 - 600mm.

- i. Extend *item 3* and fix at desired length by tightening the 2 screws using *item 6*.  
The 3 notches show the position for interface fixings at 400mm, 500mm and 600mm.

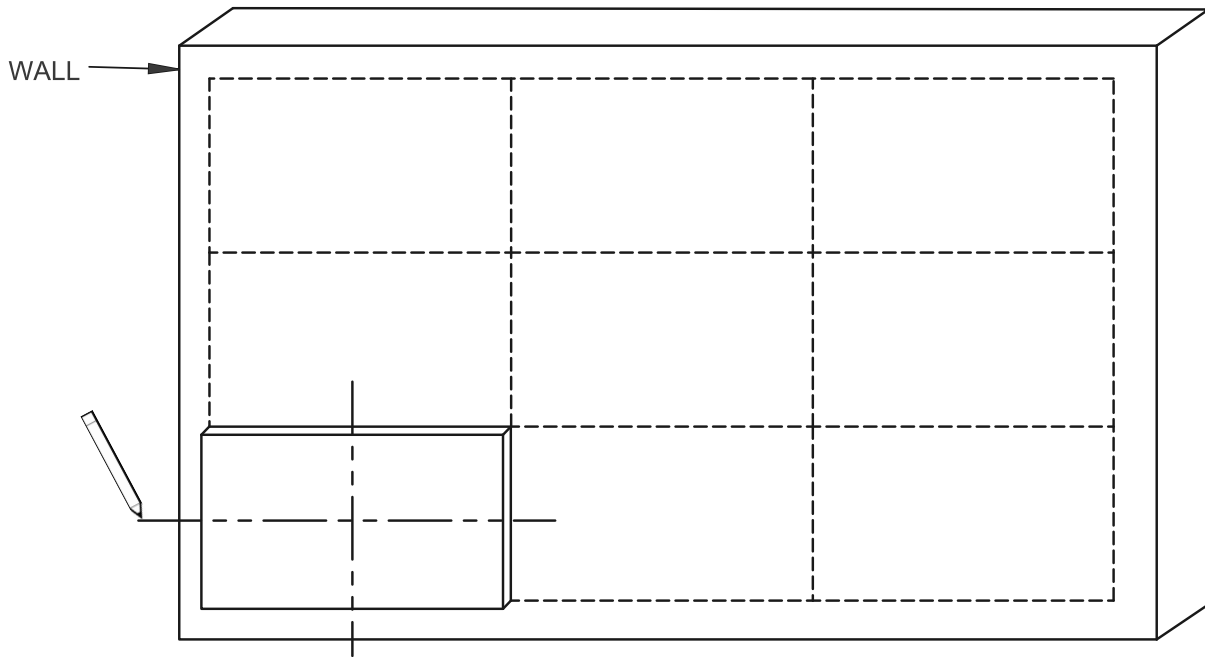


- ii. Fix *item 3* to *items 1 & 2* using *item 6* to allow for easy lateral adjustment.

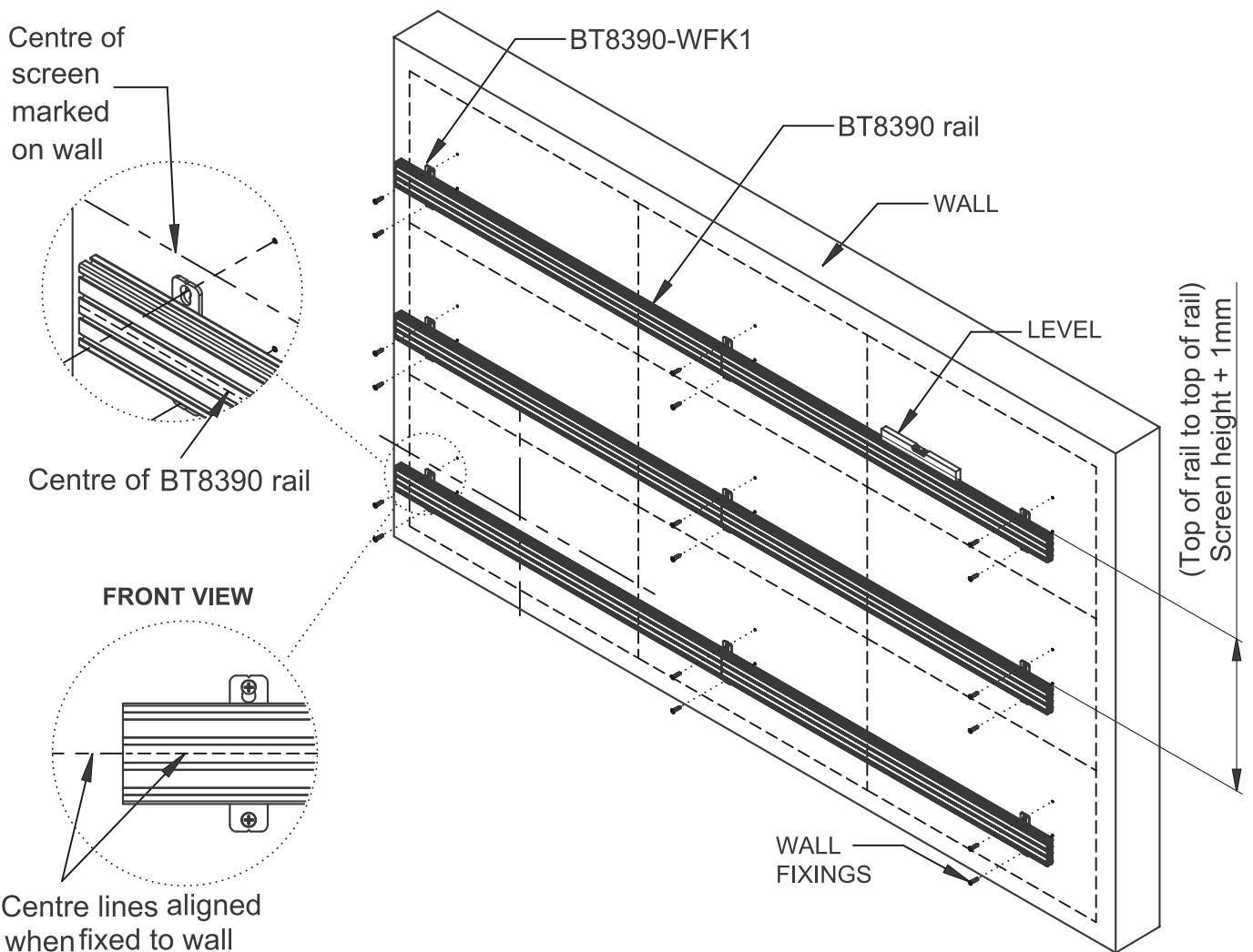


## Installing the Mount

- i. Determine the centre of the first flat screen at the bottom left. Mark the centre, for the centre of the rail.



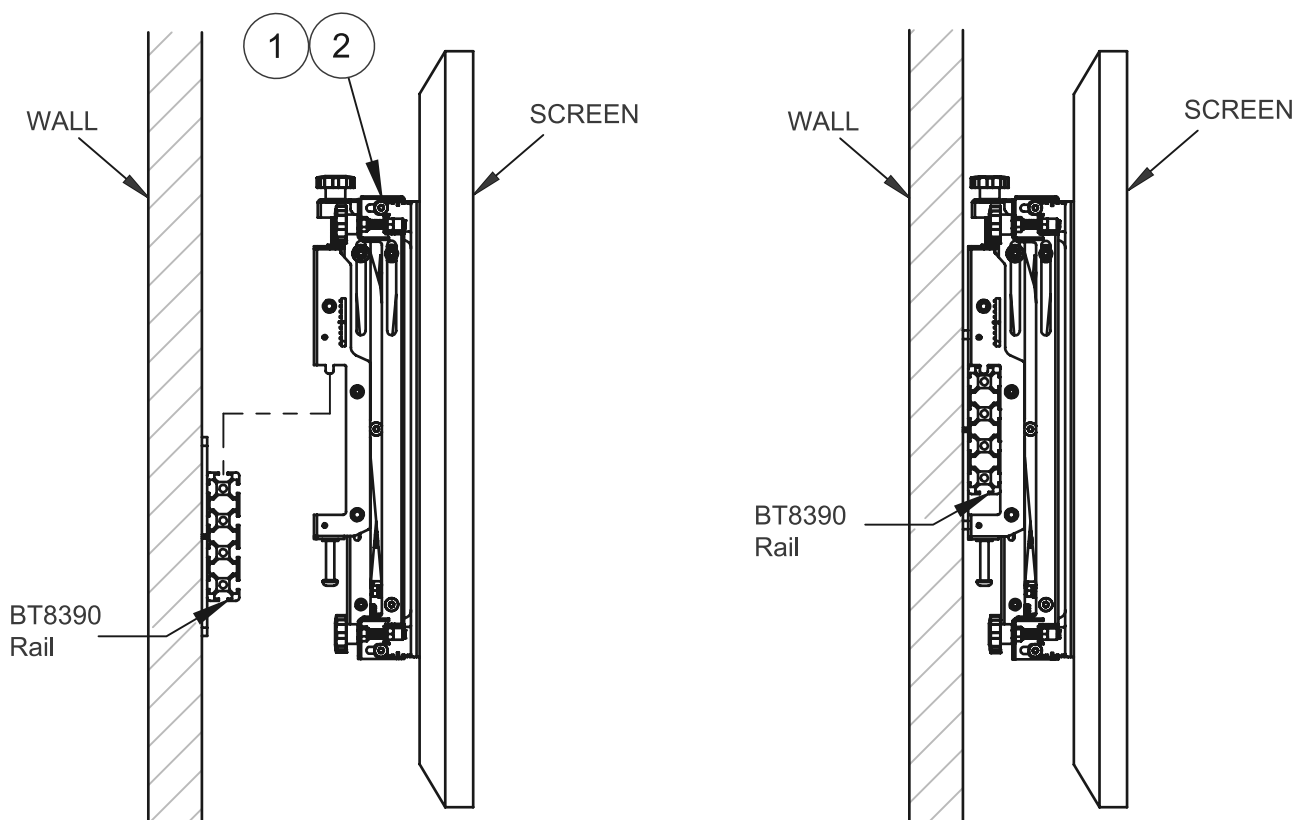
- ii. Fix the BT8390 rail (sold separately) to the wall (use horizontal line as a guide) using BT8390-WFK1 (sold separately).



## Mount Screen onto Rail

iii. Hook *items 1 & 2* into the top of the BT8390 rail.

**Note:** For videowall installations, start with the bottom left screen position.

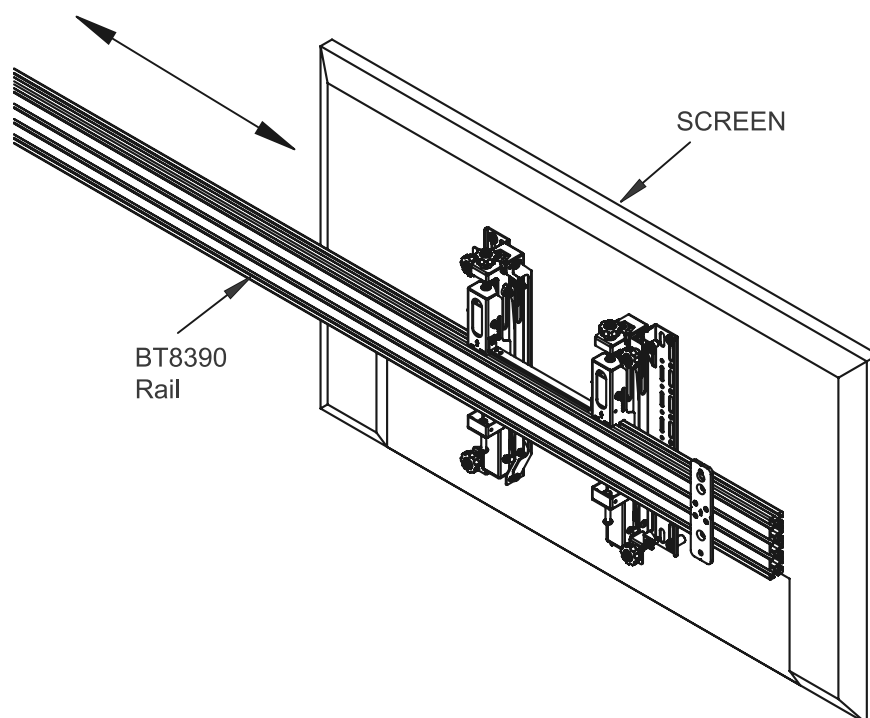


## 4

### Align First Screen

#### i. Lateral Adjustment

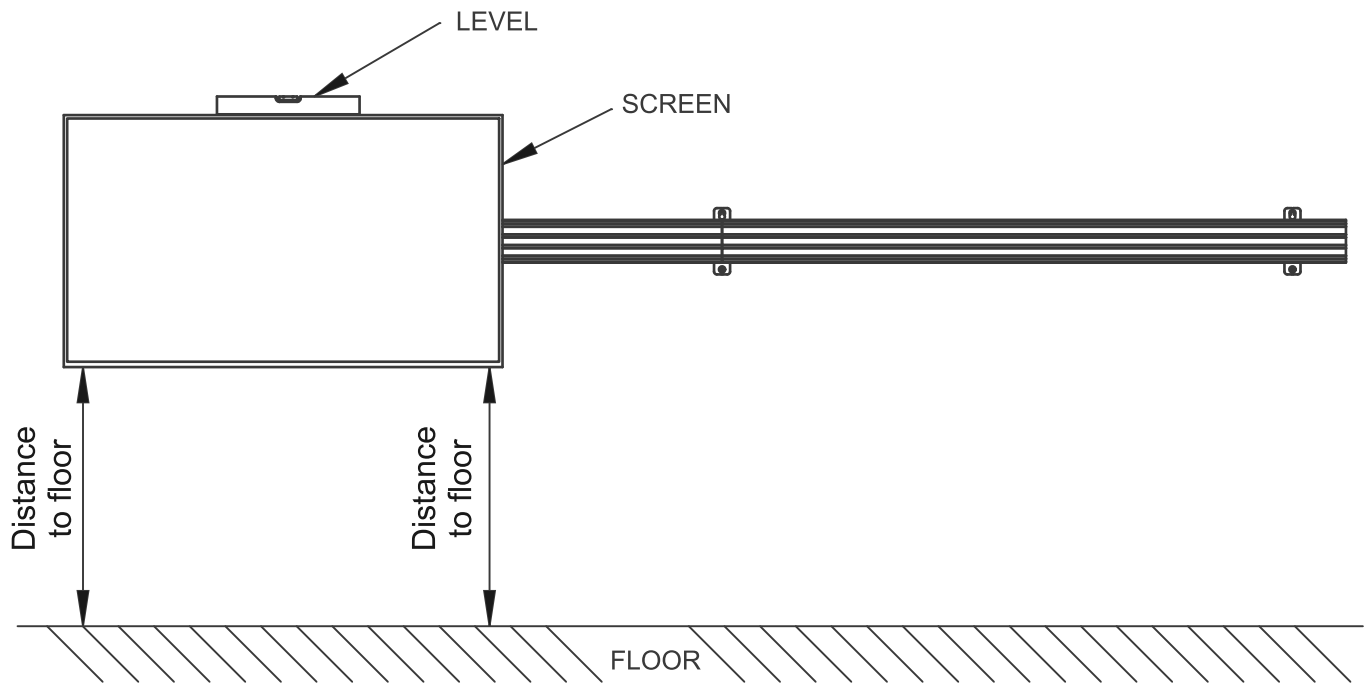
Slide arms along the rail to laterally adjust screen to desired position.





## ii. Height Adjustment (+/-20mm)

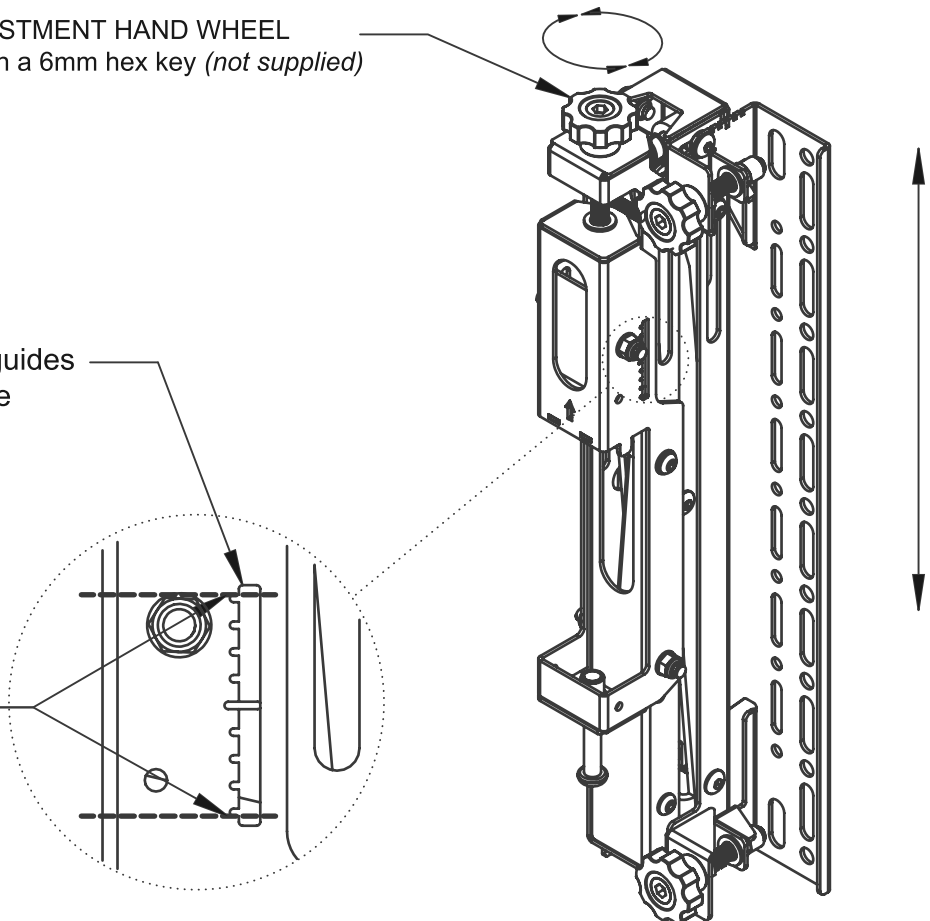
Ensure the screen is level and parallel to floor using the height adjustment hand wheels on the interface arms.



HEIGHT ADJUSTMENT HAND WHEEL  
Compatible with a 6mm hex key (*not supplied*)

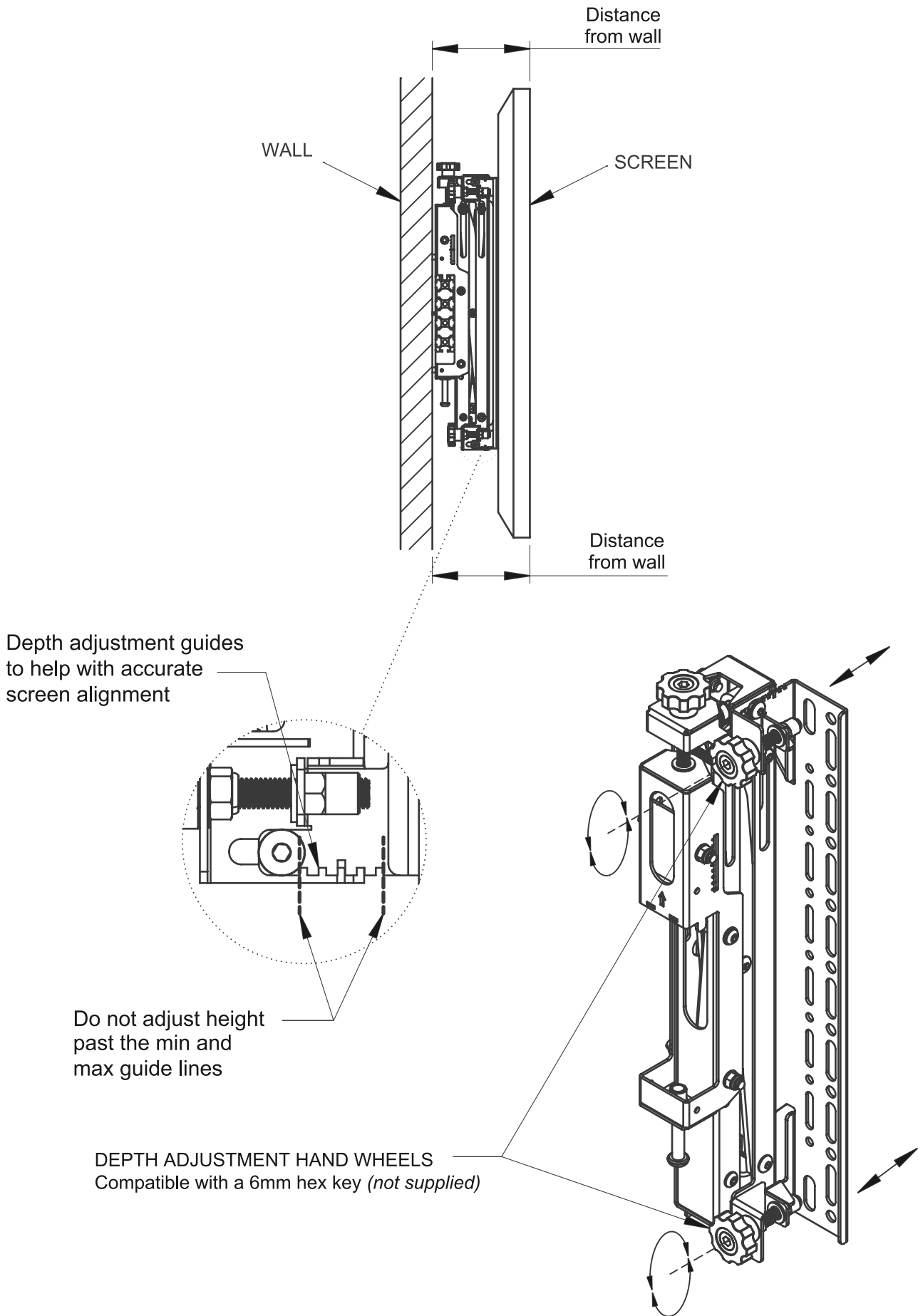
Height adjustment guides  
to help with accurate  
screen alignment

Do not adjust height  
past the min and  
max guide lines



### iii. Depth Adjustment (+/-10mm)

Ensure the screen corners are equidistant from the wall using the depth adjustment hand wheels on the interface arms.



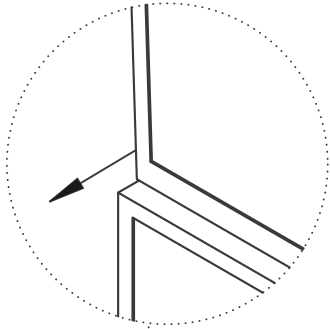
# 5

## Add Remaining Screens to the Video Wall

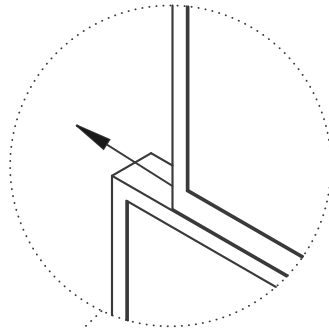
Work across the video wall 1 column at a time. Hook on screens using a plumb to align. Use adjustments to ensure screens are aligned.

**Note:** During installation, pop screens out for easy access to adjustment hand wheels (see Step 7).

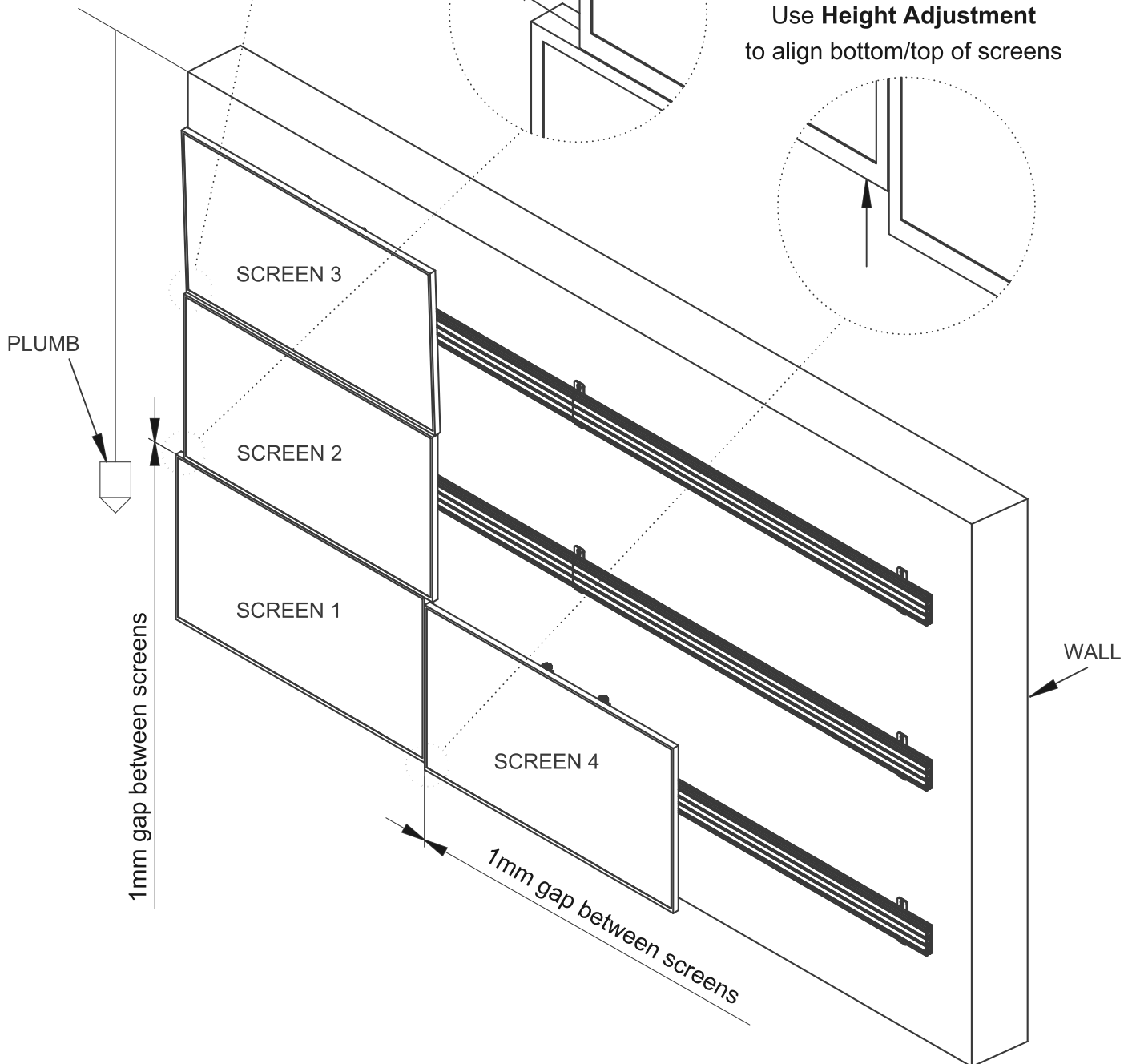
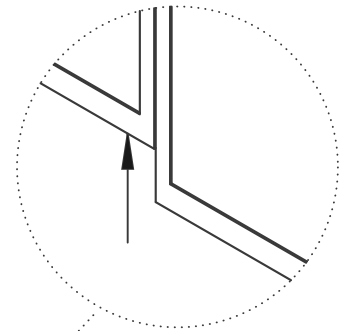
Use **Depth Adjustment**  
to align front of screens



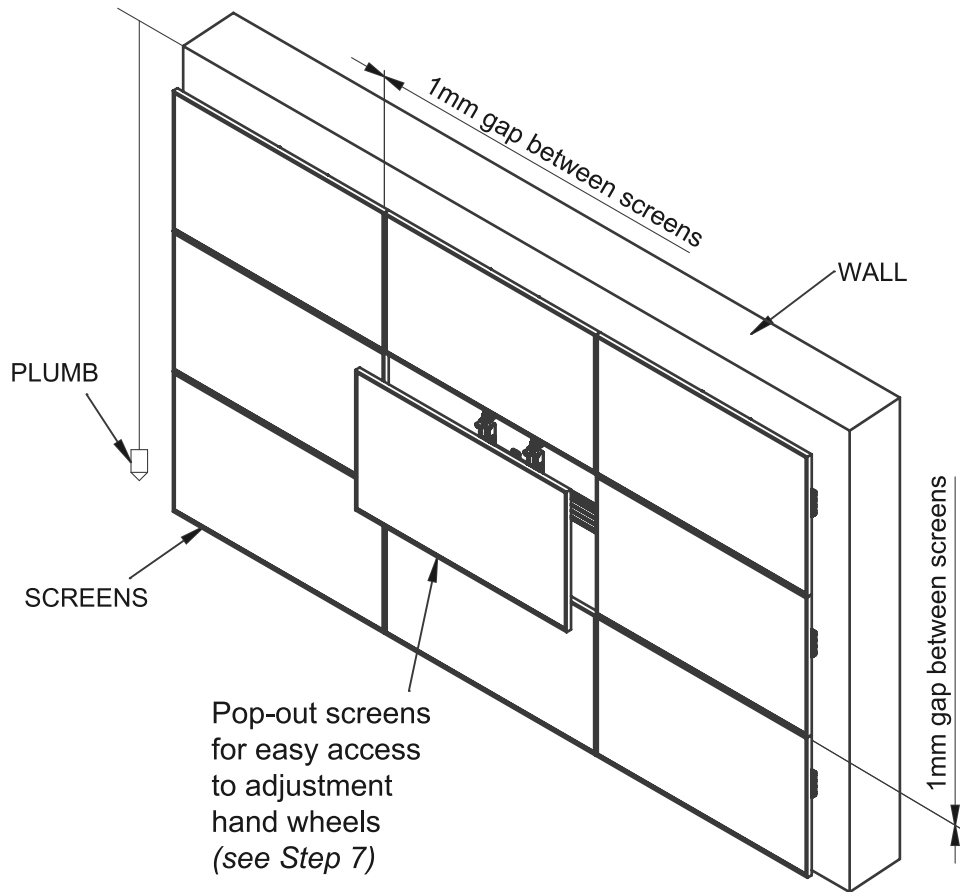
Use **Lateral Adjustment**  
to align sides of screens



Use **Height Adjustment**  
to align bottom/top of screens



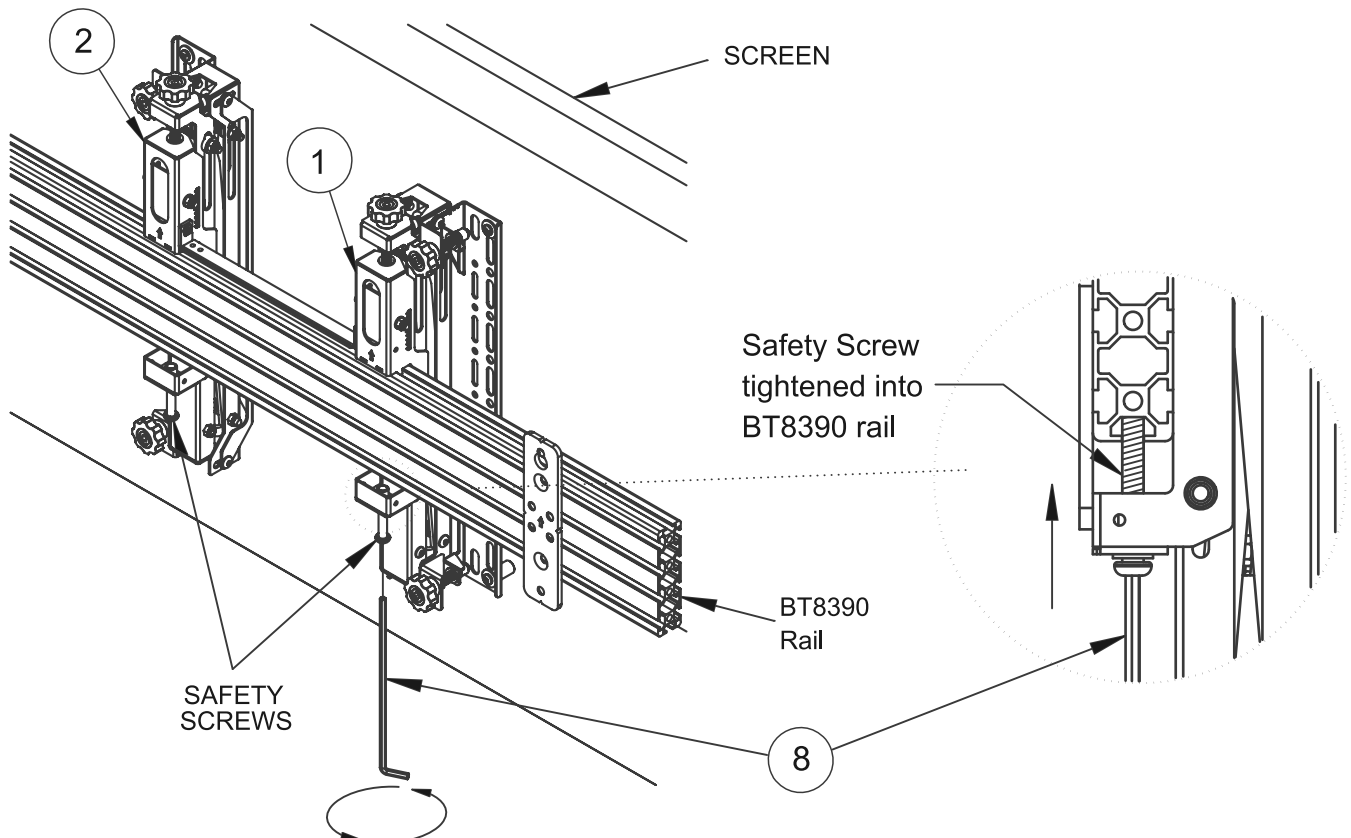
A 1mm gap between screens should be maintained. All screen fronts should be flush. A plumb line can be used to aid alignment.



## 6

### Secure Interface Arms to Mounting Rails

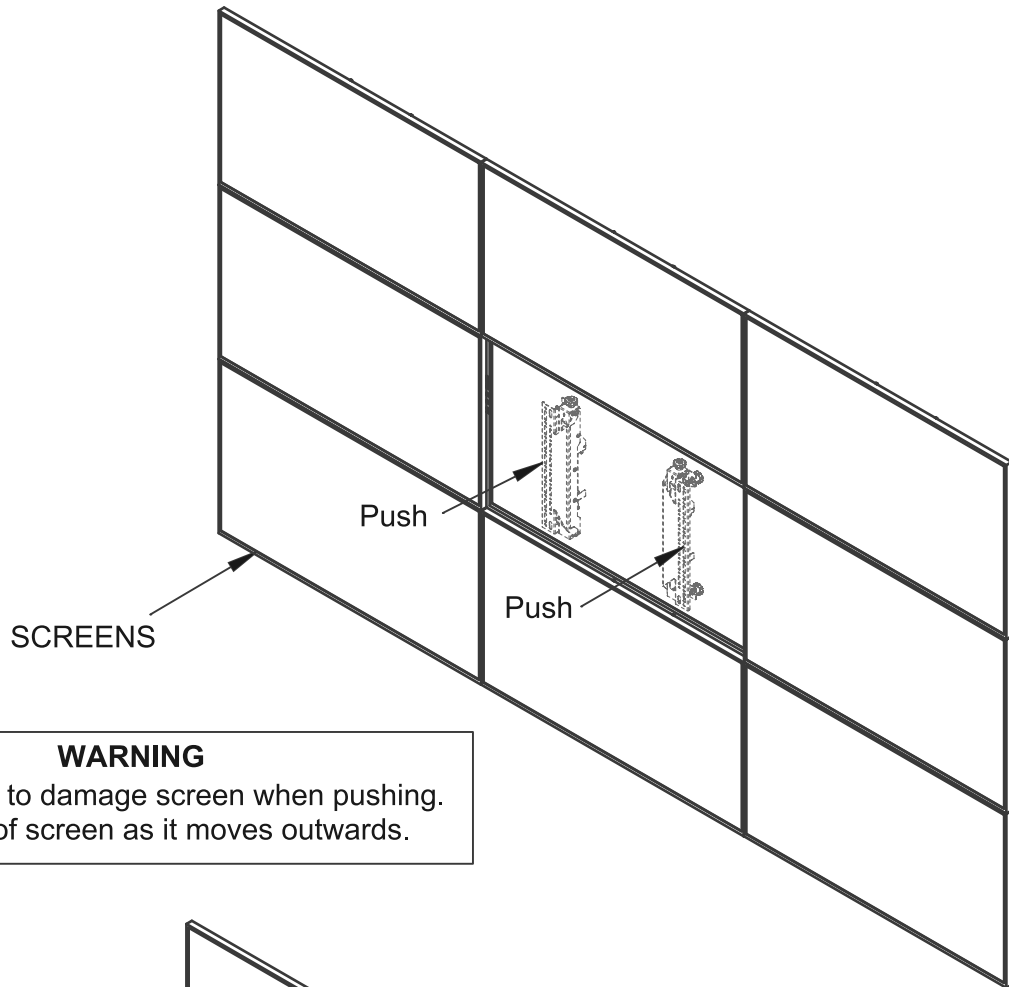
Tighten the safety screw on *items 1 & 2* into the BT8390 rail using *item 8*.



## Servicing Screens

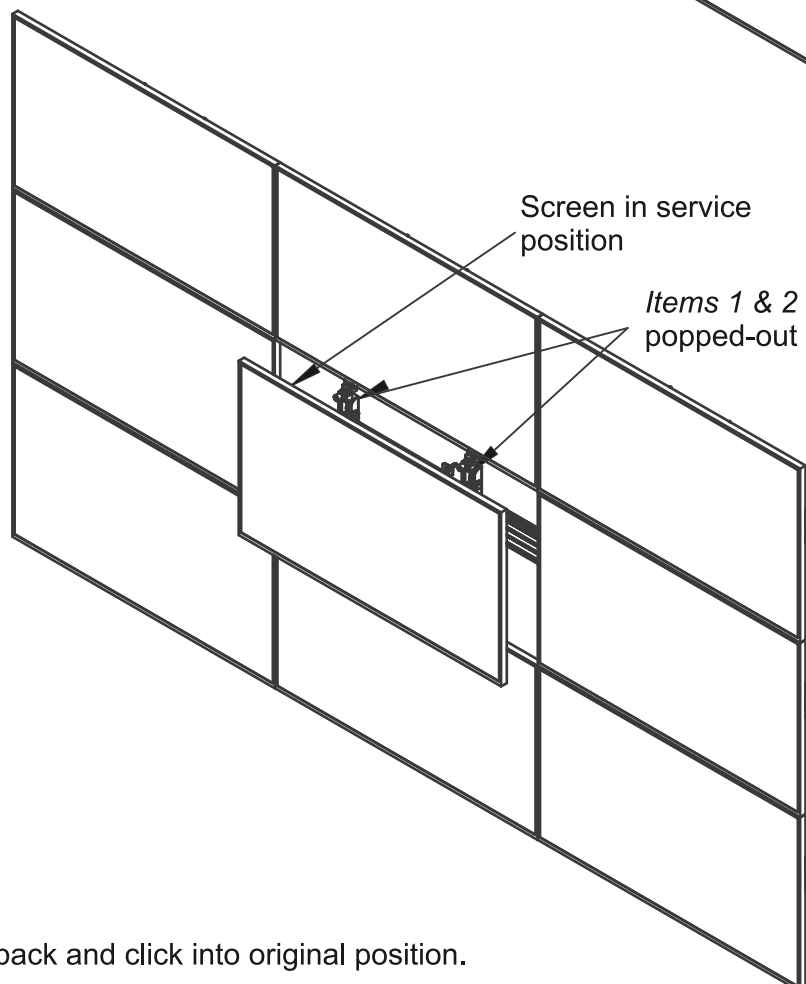
**Note:** Ensure pop-out function is not disabled (see *Step 8*).

Push centrally at the left and right of the screen to pop-out the mount.  
The screen will rest in the 'open' position for servicing.



### WARNING

Be careful not to damage screen when pushing.  
Keep hold of screen as it moves outwards.

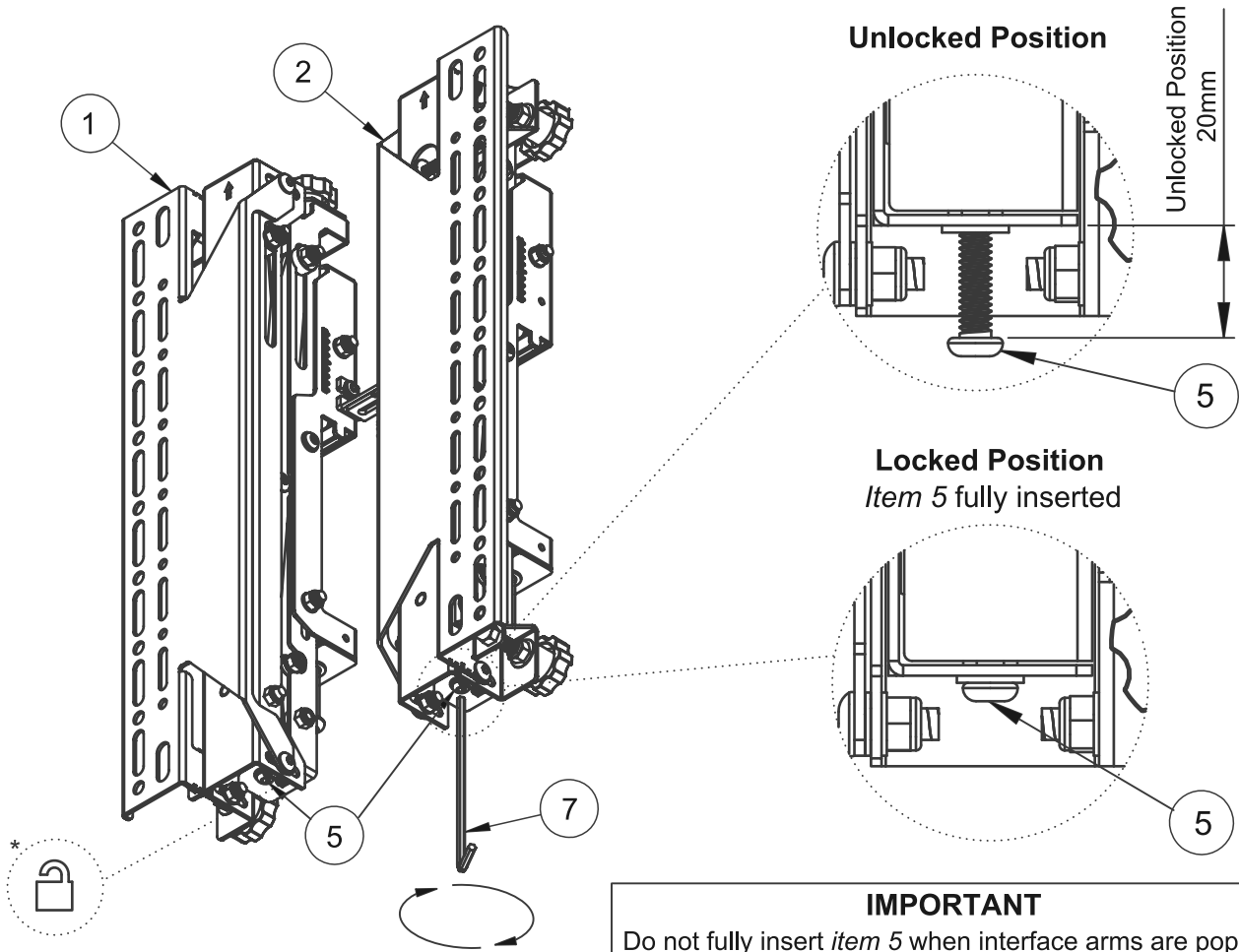


After servicing, push screen back and click into original position.

## Disabling Pop-Out Function (optional)

To prevent interface arms from popping out, fully insert and tighten *item 5* at the padlock\* symbol at the bottom of *items 1* & 2.

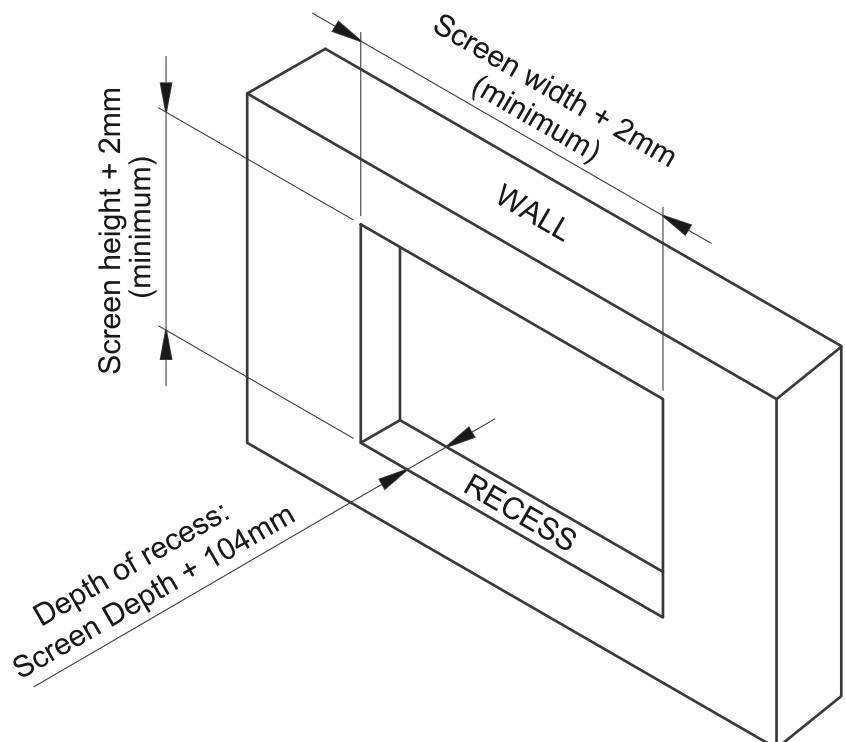
**Note:** On video walls, if disabling after installation start with the top row and work down.



## RECESS MOUNTING

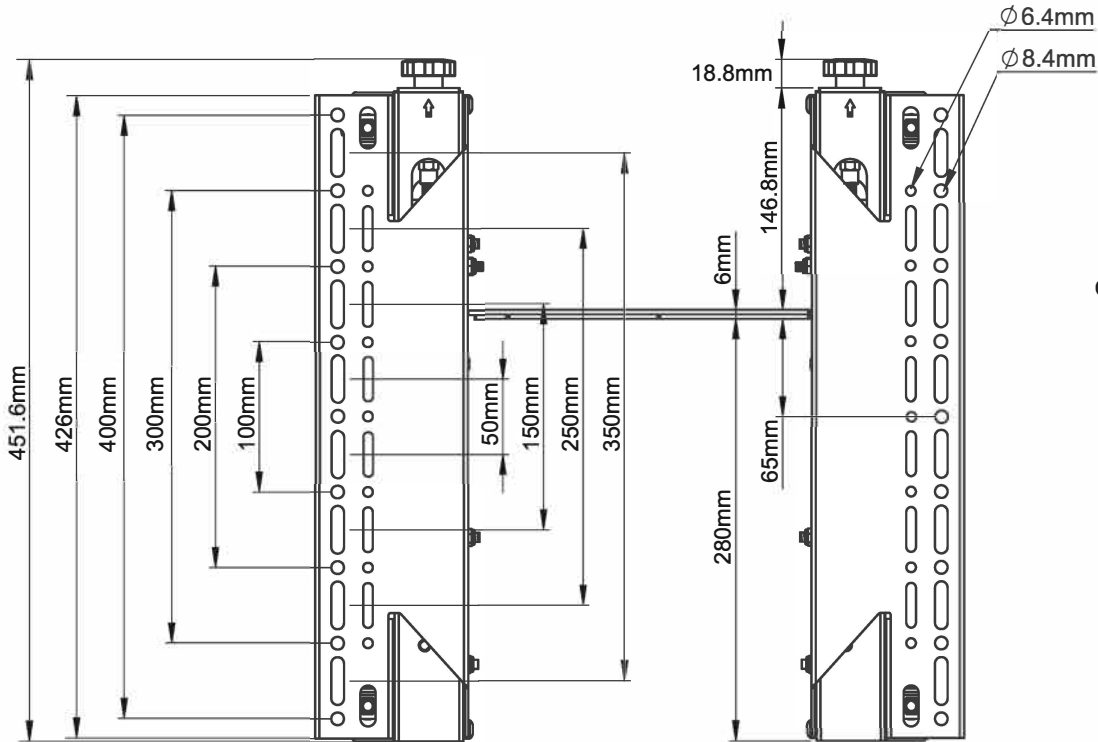
**Note:** Dimensions are based on using the BT8390-VESA400MAP with a BT8390 rail and BT8390-WFK1.

Depth dimensions may change if different brackets are used.

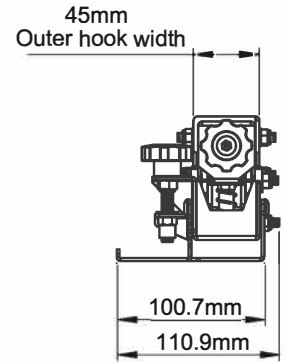


# BT8390-VESA400MAP PRODUCT DIMENSIONS

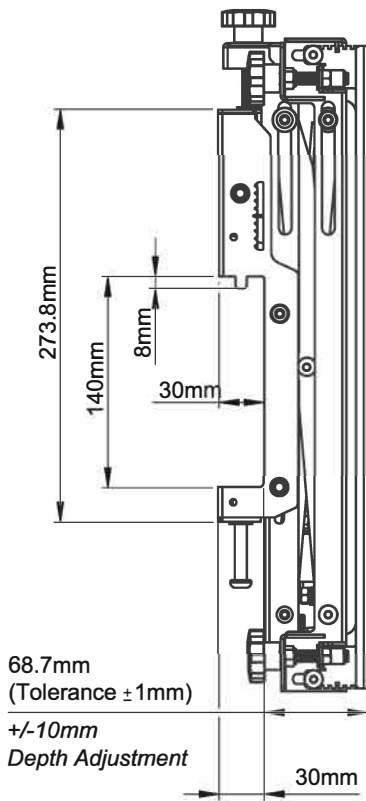
**FRONT VIEW**



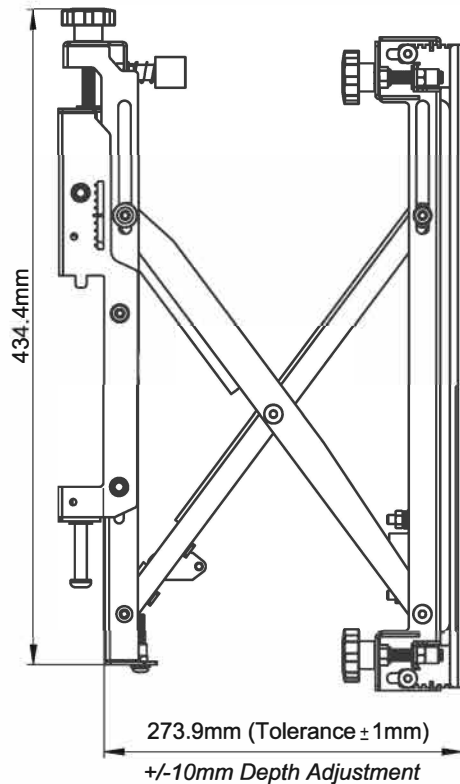
**TOP VIEW**



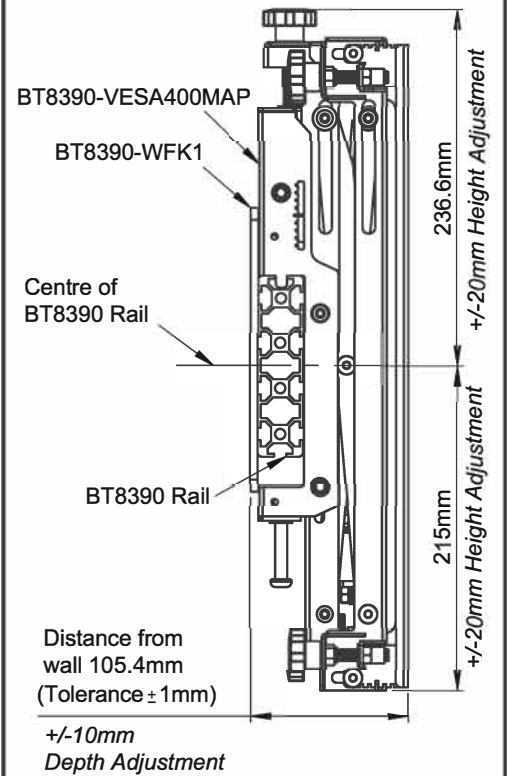
**SIDE VIEW - CLOSED**



**SIDE VIEW - OPEN**



**Wall Mounted using BT8390 Rail & BT8390-WFK1**



THESE INSTRUCTIONS ARE INTENDED AS A GUIDE ONLY AND B-TECH ACCEPTS NO LIABILITY FOR THE ACCURACY OF THE INFORMATION CONTAINED IN THIS DOCUMENT.



[www.btechavmounts.com](http://www.btechavmounts.com)

## **B-TECH AV MOUNTS**

### **HEAD OFFICE**

#### **B-Tech International Limited**

Bennett House, Long March, Daventry, Northants., NN11 4NR, UK

Email: [info@btechavmounts.com](mailto:info@btechavmounts.com)

©2019 B-Tech International Design & Manufacturing Ltd. All rights reserved.

B-Tech AV Mounts is a division of B-Tech International Design & Manufacturing Ltd.

B-Tech, Better By Design & System X are registered trademarks of B-Tech International Design & Manufacturing Ltd.

All other brands and product names are trademarks of their respective owners.

Photographs are for illustrative purposes only. E&OE.